

IA80 | IA105 | IA135

Hardmount Washer-Extractor

Veeco

LAUNDRY SYSTEMS

T: 1300 853 644 W: www.veeco.com.au

VEECO Laundry Systems
1 Granite Place
Welshpool 6106, WA
Phone: 1300 853 644
www.veeco.com.au
IPSO-Partner for Western Australia
& Northern Territory



FEATURES

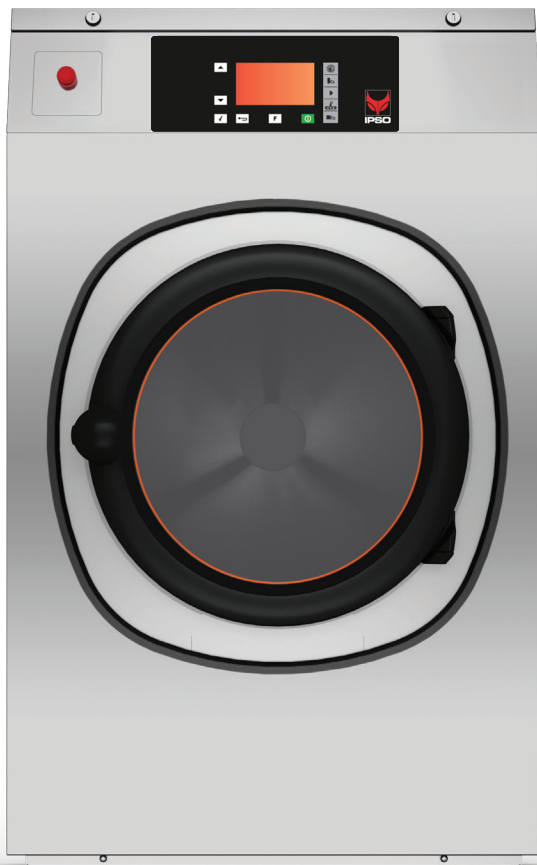
- Rigid mounted, normal spin, up to 200G factor
- Stainless steel drum and tub
- Patented soap hopper
- Easy access to all vital parts from the front
- Large door opening for easy loading &—unloading
- High capacity water inlets
- Large drain valve (Ø 76 mm)

OPTIONS

- Coin operated
- Stainless steel front and side panels
- Liquid soap connection and pumps
- Steam heating version
- ECO version: Lower kW rating on request
- 3rd water inlet

CONTROLS OPTIONS

- Aries / Aries Elite – fully programmable control with 20 Pre-set programs and memory up to 99.
- Aries Micro – Programmable control with 6—programs (+2 cycle modifiers and Imbalance—detection)



SMART DRUM TECHNOLOGY

Extra mechanical action thanks to its cascading shape of the surface



EXTRA LARGE DOOR OPENING

For easy loading and unloading



HIGH CAPACITY WATER INLETS

For shorter wash cycles

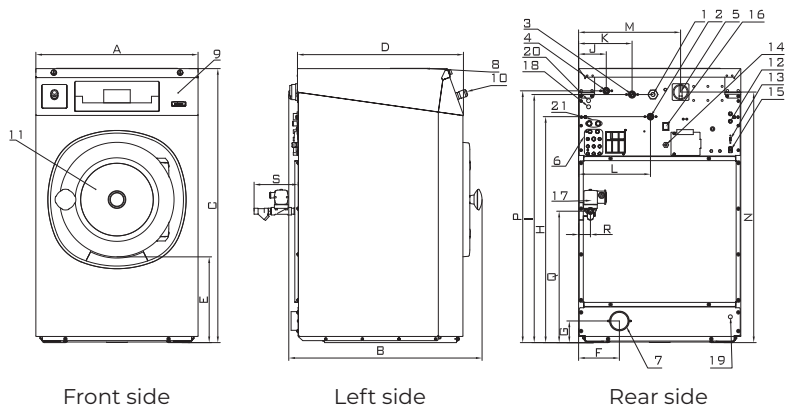


SmartWAVE automatically determines the absorption ability of the load at the start of the cycle, resulting in optimized water levels throughout the cycle.

		IA80	IA105	IA135
INNERDRUM				
Capacity 1:09	kg (lb)	8(18)	12(26)	15(33)
Capacity 1:10	kg (lb)	7,5(16)	10,5(23)	13,5(30)
Volume	litres	75	105	135
Diameter	mm	530	620	620
DRUM SPEED				
Wash	rpm	50	46	46
Extraction	rpm	820	760	760
G-FACTOR		200	200	200
HEATING				
Electricity	kW	3 - 7	3 - 7	3 - 7
Steam	bar	1 - 8	1 - 8	1 - 8
Hot water	°C	90	90	90
Sound pressure level	dB (A)	< 65	< 65	< 65
Water valves connection	BSP	3/4"	3/4"	3/4"
Water pressure	kPa	100-800	100-800	100-800
Rec. water pressure	kPa	300-500	300-500	300-500
Water inlet	l/min	20	20	20
Drain valve	outer Ø mm	76	76	76
Flow amount with drain valve	l/min	210	210	210
Steam valve connection	BSP	1/2"	1/2"	1/2"
Steam pressure	kPa	100-800	100-800	100-800
DIMENSIONS				
Size H*W*D	mm	1115*660*785	1225*750*785	1225*750*900
Net weight	kg	135	170	190
TRANSPORT DATA				
Packed H*W*D	mm	1245*710*835	1355*800*835	1355*800*950
Gross weight	kg	145	185	200

	A	B	C	D	E	F	G	H	I	J	K	L	M	N	P	Q	R	S
IA80	660	785	1115	676	349	166	88	920	1010	113	218	293	415	1020	1025	535	48	180
IA105	750	785	1225	676	342	225	98	1030	1120	113	218	338	505	1130	1135	480	42	192
IA135	750	900	1225	788	342	225	98	1030	1120	113	218	338	505	1130	1135	480	42	192
	W	D	H															

		IA80
Water consumption	l/kg	6,9
Electricity consumption	kWh/k	0,17
* Program No 11		



- | | | |
|--------------------------|---------------------------|---------------------------------------------------------|
| 1. Electrical connection | 6. Liquid soap connection | 11. Door opening (IA80: Ø 330mm; IA105, IA135: Ø 410mm) |
| 2. Hot water | 7. Drain | 12. Fuses |
| 3. Cold water hard | 8. Soap dispenser | 13. USB port |
| 4. Cold water soft | 9. Control panel | 14. Electrical connection to liquid soap pumps |
| 5. Main switch | 10. Button CENTRALSTOP | |